



FieldServer
FS-8700-68 CEI-ABI Protocol Driver
for EN.54 Exchanges
Driver Manual
(Supplement to the FieldServer Instruction Manual)

APPLICABILITY & EFFECTIVITY

Effective for all systems manufactured after April 2019.

Driver Version: 1.08
Document Revision: 1.B

Technical Support

Please call us for any technical support needs related to the FieldServer product.

Sierra Monitor Corporation
1991 Tarob Court
Milpitas, CA 95035

Website: www.sierramonitor.com

U.S. Support Information:

+1 408 964-4443

+1 800 727-4377

Email: support@sierramonitor.com

EMEA Support Information:

+31 33 808 0590

Email: support.emea@sierramonitor.com

TABLE OF CONTENTS

- 1 CEI-ABI Driver Description 4**
- 2 Driver Scope of Supply 6**
 - 2.1 Supplied by Sierra Monitor Corporation 6
 - 2.2 Provided by the Supplier of 3rd Party Equipment..... 6
 - 2.2.1 Required 3rd Party Hardware..... 6
- 3 Hardware Connections..... 7**
 - 3.1 Connect the Notifier Panel to the Multiport FieldServer 7
 - 3.2 Connect the Notifier Panel to the QuickServer..... 8
 - 3.3 Connection Notes 8
- 4 Data Array Parameters 9**
- 5 Configuring the FieldServer as a CEI-ABI Driver Client 10**
 - 5.1 Client Side Connection Parameters 10
 - 5.2 Client Side Node Parameters 11
 - 5.3 Client Side Map Descriptor Parameters 11
 - 5.3.1 FieldServer Specific Map Descriptor Parameters 11
 - 5.3.2 Driver Specific Map Descriptor Parameters 11
 - 5.3.3 Timing Parameters 11
 - 5.3.4 Map Descriptor Example 12
- 6 Configuring the FieldServer as a CEI-ABI Driver Server 13**
 - 6.1 Server Side Connection Parameters 13
 - 6.2 Server Side Node Parameters..... 14
 - 6.3 Server Side Map Descriptor Parameters..... 14
 - 6.3.1 FieldServer Specific Map Descriptor Parameters 14
 - 6.3.2 Driver Specific Map Descriptor Parameters 14
 - 6.3.3 Map Descriptor Example 15
- 7 Configuring the FieldServer as a CEI-ABI Data Tap..... 16**
 - 7.1 Data Tap Connection Parameters 16
 - 7.2 Data Tap Node Parameters..... 17
 - 7.3 Data Tap Map Descriptor Parameters..... 17
 - 7.3.1 FieldServer Specific Map Descriptor Parameters 17
 - 7.3.2 Driver Specific Map Descriptor Parameters 17
 - 7.3.3 Map Descriptor Example 18
- Appendix A Useful Features 19**
 - Appendix A.1 Align Loops Only..... 19
- Appendix B Vendor Information 20**
 - Appendix B.1 Mapping the Points to Modbus 20
- Appendix C Reference..... 21**
 - Appendix C.1 Protocol Specification 21

1 CEI-ABI DRIVER DESCRIPTION

The CEI-ABI driver allows the FieldServer to transfer data to and from EN.54 exchanges over either RS-232 or RS-485 using CEI-ABI driver protocol.

The protocol can work over point to point connections on RS-232 or over a multidrop RS-485 line allowing for multiple exchanges on the same communications line. Every exchange has to be manually set to a unique address. The addresses used on a line must be from 1 to 16 in single bit binary e.g. (1, 2, 4, 8... 16).

The driver enters a configuration and alignment mode after startup. During this mode the following steps are followed:

- Zone alignment data is requested from the exchanges (80 zones)
- Loop alignment data is requested from the exchanges (16 loops)
- A request analogs command (27) is dispatched on each loop on every exchange (16 loops)
- Analog alignment data is requested on each loop from the exchanges (16 loops)

Once the configuration mode is finished, the driver starts to poll the exchanges for event data. Event data are alarms, troubles and system events on the exchanges.

Every exchange essentially contains 16 loops with 99 sensors and 99 modules. The collection of sensors and modules over all 16 loops are called points. There are 198 points on a loop and $16 \times 198 = 3,168$ points on an exchange.

Every point has a **status value** retrieved from the exchange during loop alignment:

0 = NORMAL
1 = ALARM
7...14 = TROUBLE
57 = not installed
61, 67 = disabled
70 = ON
71 = OFF

Every point has an **analog value** from 0 to 255 also retrieved from the exchange during analog alignment.

Points can be mapped into zones. 32 points can be mapped into a single zone giving a total of $32 \times 80 = 2560$ points. A point's status is therefore displayed in the Map Descriptor Data Array assigned for the points as well as in the Data Array for the zone. This mapping is simply a convenient way to group specific points into functional zones representing areas in a building, e.g. the workshop is zone 0, etc.

During the zone alignment stage, the points to zone mappings are retrieved from the exchanges and stored. The Client driver uses this setup information to store point data in the correct zone Map Descriptor Data Arrays. Each zone's label (e.g. 'workshop') is also retrieved and stored for user access during zone alignment. Each zone's state at alignment is also stored. Possible zone states in bit positions are:

0 = ZONE OK
2 = ZONE ENABLED
4 = ZONE DISABLED
8 = ZONE IN ALARM
16 = ZONE IN TROUBLE

Zone setup data can be stored in the Server Map Descriptors to map points to zones. A single zone's setup data consists of 64 bytes defined as follows:

Even bytes (0, 2, 4 ...) = device number 1...99

Odd bytes (1, 3, 5 ... (bits 8-12)) = loop number 0...15

Each word of zone setup data uniquely defines a point on a specific loop to a zone. Zones go from 0-79.

During the normal polling stage, the driver checks for events from the exchange. Points and zone changes can cause events that will be reported to the driver in response to a normal poll packet. The driver will indicate a zone or point event in the Map Descriptor Data Array by placing the event status value in the array. The device that caused the event and a detail description code of the event will be placed in the correct point or zone device and point or zone event Data Arrays for user access. Refer to the CEI-ABI protocol specification for a detailed list of the device and event codes.

A special event code of value 138 will cause the driver to re-enter the alignment mode. Exchanges report this code whenever a programming change has been made on the exchange (e.g. a zone label changed).

The driver can also be set up in a listen only mode to act as a data tap. In this mode, another device polls the exchanges and the driver stores the response data from the replying exchanges. The setup is done by specifying a node type of "Data_Tap" in a client csv file.

The driver also supports a reset function whereby the client can send a reset to Servers. The data tap listens for the Server's "command accepted" message before clearing its own point faults bitmap Data Array. The Client clears its Data Array once the "command accepted" message is sent from the Server.

NOTE: The driver is set up for 80 zones and 16 loops. The Data Arrays declared for each type of cei data contains applicable data arranged consecutively according to zone or loop number (from 0 to the last number).

A special Map Descriptor pointing to a bitmap Data Array of point faults (alarms and troubles) must also be declared in the Client and Data-Tap CSV files. The point faults bitmap Data Array contains a simple 0 or 1 to indicate a point fault or not. (1 = fault, 0 = normal). Note that only sensor module point faults are stored in this Data Array.

The following table shows the type of points found under each loop and their offsets in the Data Arrays. This table represents one complete exchange or node.

Detectors			Modules		
Loop	Offset Start	Offset End	Loop	Offset Start	Offset End
0	0	98	0	99	197
1	198	296	1	297	395
2	396	494	2	495	593
3	594	692	3	693	791
4	792	890	4	891	989
5	990	1088	5	1089	1187
6	1188	1286	6	1287	1385
7	1386	1484	7	1485	1583
8	1584	1682	8	1683	1781
9	1782	1880	9	1881	1979
10	1980	2078	10	2079	2177
11	2178	2276	11	2277	2375
12	2376	2474	12	2475	2573
13	2574	2672	13	2673	2771
14	2772	2870	14	2871	2969
15	2970	3068	15	3069	3167

2 DRIVER SCOPE OF SUPPLY

2.1 Supplied by Sierra Monitor Corporation

Part #	Description
-	RS-485 connection adapter

2.2 Provided by the Supplier of 3rd Party Equipment

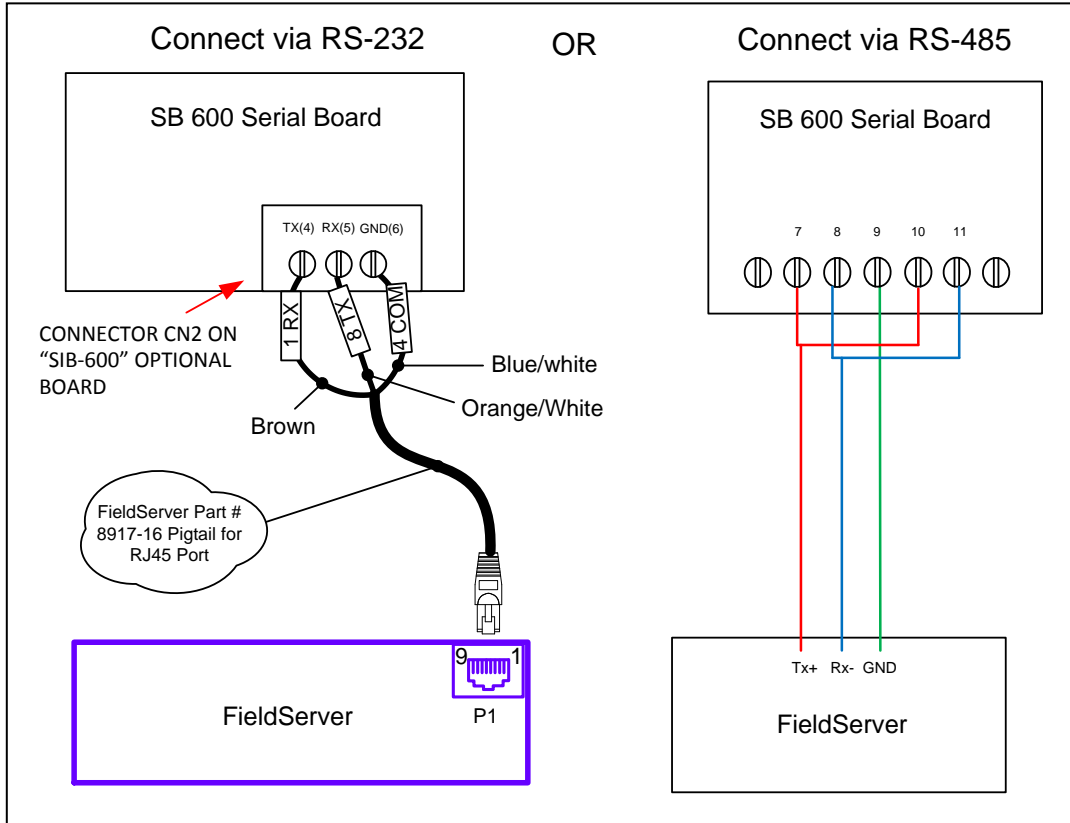
2.2.1 Required 3rd Party Hardware

Part #	Description
	RS-232 or RS-485 serial cable

3 HARDWARE CONNECTIONS

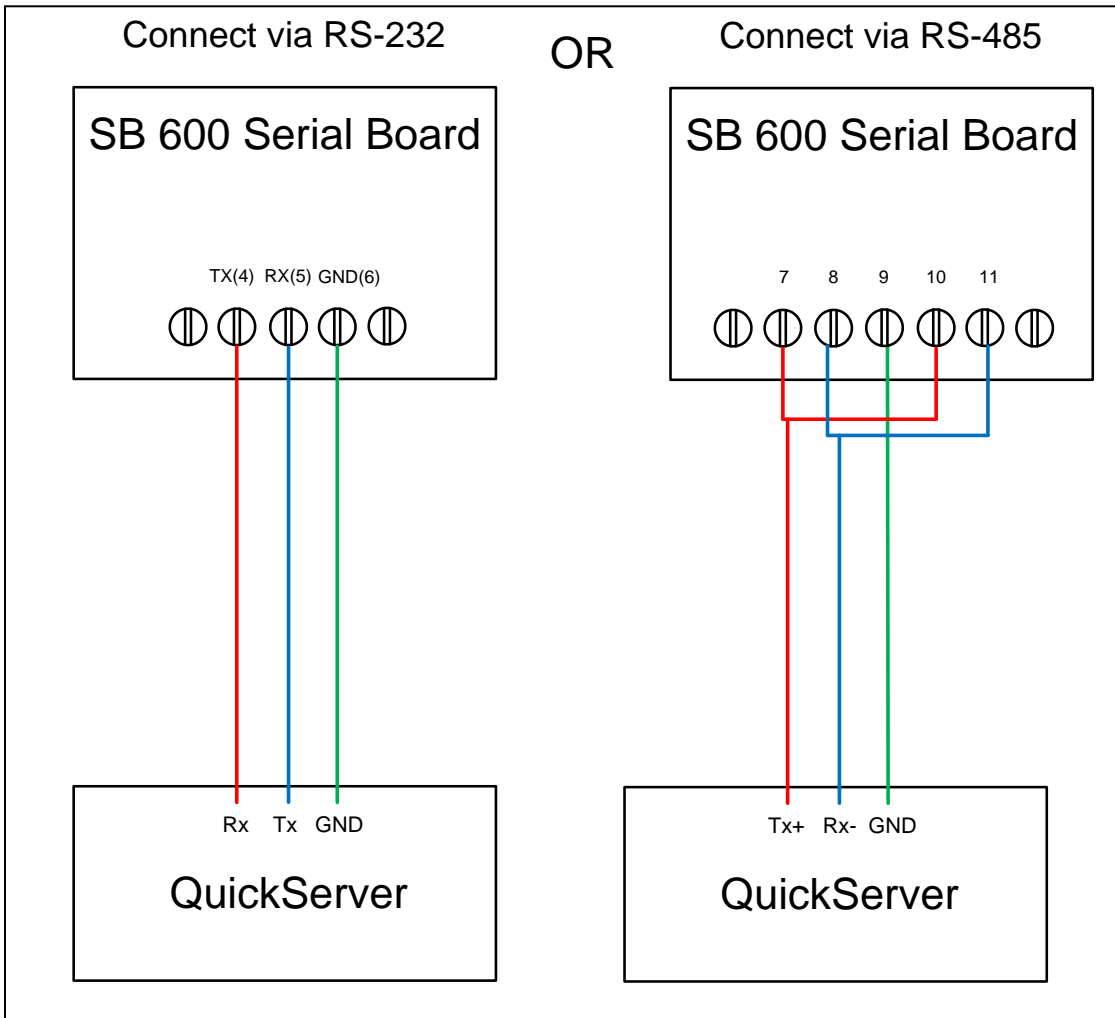
The FieldServer is connected to the En.54 exchange as shown in the following sections. Configure the En.54 exchange according to manufacturer's instructions.

3.1 Connect the Notifier Panel to the Multiport FieldServer



TERMIN. NR.		DENOMINATION	IT-485 WIRING	SERIAL PORT CONNECTOR ON FIELDSEVER
1		GROUND		
2	RTS-232	RTS		
3		CTS		
4		TX		RJ45-01
5		RX		RJ45-08
6		GND		RJ45-04
7	RTS-485	LIN + OUTWARD	PC	TERMINAL 4
8		LIN - RETURN	WIRING	
9		GND		SHIELD
10		LIN + RETURN		
11		LIN - OUTWARD		TERMINAL 3

3.2 Connect the Notifier Panel to the QuickServer



TERMIN. NR.		DENOMINATION	IT-485 WIRING
1		GROUND	
2	RTS-232	RTS	
3		CTS	
4		TX	
5		RX	
6		GND	
7	RTS-485	LIN + OUTWARD	PC WIRING
8		LIN - RETURN	
9		GND	
10		LIN + RETURN	
11		LIN - OUTWARD	
			TERMINAL 4
			SHIELD
			TERMINAL 3

3.3 Connection Notes

- For wiring of maximum 25 meters use 232 serial line (terminals 4-5-6).
- For wiring exceeding 15 meters use 485 serial line with IT-485 interface (terminals 7-11).
- **NB:** If the FieldServer is to be connected to the Serial Printer Port of the AM6000 Panel, use the driver "FS-8700-52 Notifier Italia AM6000". If the FieldServer is to be connected to the AM6000 panel using a SIB-600 device, use the driver "FS-8700-68 CEI ABI".

4 DATA ARRAY PARAMETERS

Data Arrays are “protocol neutral” data buffers for storage of data to be passed between protocols. It is necessary to declare the data format of each of the Data Arrays to facilitate correct storage of the relevant data.

Section Title		
Data_Arrays		
Column Title	Function	Legal Values
Data_Array_Name	Provide name for Data Array.	Up to 15 alphanumeric characters
Data_Array_Format	Provide data format. Each Data Array can only take on one format.	Float, Bit, Byte, Uint16, Uint32, Sint16, Sint32
Data_Array_Length	Number of Data Objects. Must be larger than the data storage area required by the Map Descriptors for the data being placed in this array.	1-10000

Example

```

// Data Arrays
Data_Arrays
Data_Array_Name , Data_Format , Data_Array_Length
Counts_1 , Byte , 1
Pnt_sts_1 , Byte6 , 3168
Pnt_faults_bmap_1 , Bit , 3168
Pnt_analogs_1 , Byte , 3168
Pnt_Dev_codes_1 , Byte , 3168
Pnt_Evt_codes_1 , Byte , 3168
Zone_sts_1 , Byte , 80
Zn_Dev_codes_1 , Byte , 80
Zn_Evt_codes_1 , Byte , 80
Zone_labels_1 , Byte , 2560
Zone_pnt_sts_1 , Byte , 2560
Zone_setup_1 , Byte , 5120
Reset_1 , Bit , 1
Analogs_1_0 , Byte , 198
    
```

The counts Data Array is a dummy array for the poller Map Descriptor. It does not contain any data.

5 CONFIGURING THE FIELDSEVER AS A CEI-ABI DRIVER CLIENT

For detailed information on FieldServer configuration, refer to the FieldServer Configuration Manual. The information that follows describes how to expand upon the factory defaults provided in the configuration files included with the FieldServer (see “.csv” sample files provided with the FieldServer).

This section documents and describes the parameters necessary for configuring the FieldServer to communicate with an EN.54 exchange.

The configuration file tells the FieldServer about its interfaces, and the routing of data required. In order to enable the FieldServer for CEI-ABI driver communications, the driver independent FieldServer buffers need to be declared in the “Data Arrays” section, the destination device addresses need to be declared in the “Client Side Nodes” section, and the data required from the Servers needs to be mapped in the “Client Side Map Descriptors” section. Details on how to do this can be found below.

NOTE: In the tables below, * indicates an optional parameter, with the bold legal value as default.

5.1 Client Side Connection Parameters

Section Title		
Connections		
Column Title	Function	Legal Values
Port	Specify which port the device is connected to the FieldServer.	P1-P2, R1-R2 ¹
Baud*	Specify baud rate.	2400, 4800, 9600 , 19200 (Vendor limitation)
Parity*	Specify parity.	Even (Vendor limitation)
Data_Bits*	Specify data bits.	8 (Vendor limitation)
Stop_Bits*	Specify stop bits.	1 (Vendor limitation)
Protocol	Specify protocol used.	CEI (Case insensitive)
Poll Delay*	Time between internal polls.	0-32000s, 3.0s
ReAlign_Mode*	This parameter allows the user to specify that only loops must be aligned at startup/reset. Refer to example in Appendix A.1 .	All , Loops

Example

```
// Client Side Connections

Port , Protocol , Baud , Parity
P1 , CEI , 19200 , Even
```

¹ Not all ports shown are necessarily supported by the hardware. Consult the appropriate Instruction manual for details of the ports available on specific hardware.

5.2 Client Side Node Parameters

Section Title		
Nodes		
Column Title	Function	Legal Values
Node_Name	Provide name for node.	Up to 32 alphanumeric characters
Node_ID	Generic node id unique to port.	0-255
Protocol	Specify protocol used.	CEI (Case insensitive)
Port	Specify which port the device is connected to the FieldServer.	P1-P2, R1-R2 ²

Example

```
// Client Side Nodes

Nodes
Node_Name , Node_ID , Protocol , Connection
Node_0 , 0 , CEI , P1
```

5.3 Client Side Map Descriptor Parameters

5.3.1 FieldServer Specific Map Descriptor Parameters

Column Title	Function	Legal Values
Map_Descriptor_Name	Name of this Map Descriptor.	Up to 32 alphanumeric characters
Data_Array_Name	Name of Data Array where data is to be stored in the FieldServer.	One of the Data Array names from Section 4
Data_Array_Offset	Starting location in Data Array.	0 to (Data_Array_Length-1) as specified in Section 4
Function	Function of Client Map Descriptor.	Rdbc, Passive

5.3.2 Driver Specific Map Descriptor Parameters

Column Title	Function	Legal Values
Node_Name	Name of Node to fetch data from.	One of the Node names specified in Section 5.2
Cei_Address	The remote exchange's address.	1, 2, 4, 8, 16
Cei_Type	The specific type of cei data referred to by the Map Descriptor.	poller, analogs_poller, points, p_faults_bmp, analogs, p_devices, p_events, zones, z_devices, z_events, labels, zone_points, setup, reset
Loop*	The Analog loop on the exchange to poll.	0 – 15, -

5.3.3 Timing Parameters

Column Title	Function	Legal Values
Scan_Interval*	Rate at which data is polled.	≥2.0s per exchange (Increase value if more than one exchange on a RS-485 line), -

² Not all ports shown are necessarily supported by the hardware. Consult the appropriate Instruction manual for details of the ports available on specific hardware.

5.3.4 Map Descriptor Example

Map_Descriptor_Name	Scan_Interval	Data_Array_Name	Data_Array_Offset	Function	Node_Name	Cei_Address	Cei_Type	Length
Poller_1	, 7.0s	, Counts_1	, 0	, Rdbc	, Node_0	, 1	, Poller	, 3168
Exch_1_P_S	, 0s	, Pnt_sts_1	, 0	, Passive	, Node_0	, 1	, Points	, 3168
Exch_1_P_F_B	, 0s	, Pnt_faults_bmap_1	, 0	, Passive	, Node_0	, 1	, p_faults_bmp	, 3168
Exch_1_P_A	, 0s	, Pnt_analogs_1	, 0	, Passive	, Node_0	, 1	, Analogs	, 3168
Exch_1_P_D_C	, 0s	, Pnt_Dev_codes_1	, 0	, Passive	, Node_0	, 1	, p_devices	, 3168
Exch_1_P_E_C	, 0s	, Pnt_Evt_codes_1	, 0	, Passive	, Node_0	, 1	, p_events	, 3168
Exch_1_Z_S	, 0s	, Zone_sts_1	, 0	, Passive	, Node_0	, 1	, Zones	, 80
Exch_1_Z_D_C	, 0s	, Zn_Dev_codes_1	, 0	, Passive	, Node_0	, 1	, z_devices	, 80
Exch_1_Z_E_C	, 0s	, Zn_Evt_codes_1	, 0	, Passive	, Node_0	, 1	, z_events	, 80
Exch_1_Z_L	, 0s	, Zone_labels_1	, 0	, Passive	, Node_0	, 1	, Labels	, 2560
Exch_1_Z_P_S	, 0s	, Zone_pnt_sts_1	, 0	, Passive	, Node_0	, 1	, zone_points	, 2560
Exch_1_Z_S_U	, 0s	, Zone_setup_1	, 0	, Passive	, Node_0	, 1	, Setup	, 5120
Exch_1_Reset	, 2.0s	, Reset_1	, 0	, Rdbc	, Node_0	, 1	, Reset	

This can be any name but each name must be unique. Name will appear in FieldServer Map Descriptor status information screens.

Scan interval must be adapted for multiple Map Descriptor scans. Only the poller has a real scan value.

A Data Array name defined in **Section 4**.

The offset into the Data Array where the data will be stored.

Only read and passive allowed. Read is for pollers and passive for data.

Node name defined in **Section 5.2**. The Node_Name identifies the port on which the exchange is connected.

The remote exchange address.

The type of cei data the Map Descriptor refers to. Used by driver internals to store data in multiple locations.

Map_Descriptor_Name	Scan_Interval	Data_Array_Name	Data_Array_Offset	Function	Node_Name	Cei_Address	Cei_Type	Loop	Length
Exch_1_Analog_1	, 7.0s	, Analogs_1_0	, 0	, Rdbc	, Node_0	, 1	, Analogs_poller	, 0	, 198

Add more Map Descriptors to poll other loops.

Analog loops 0 to 15 can be polled.

6 CONFIGURING THE FIELDSEVER AS A CEI-ABI DRIVER SERVER

For detailed information on FieldServer configuration, refer to the FieldServer Configuration Manual. The information that follows describes how to expand upon the factory defaults provided in the configuration files included with the FieldServer (see “.csv” sample files provided with the FieldServer).

The configuration file tells the FieldServer about its interfaces, and the routing of data required. In order to enable the FieldServer for CEI-ABI driver communications, the driver independent FieldServer buffers need to be declared in the “Data Arrays” section, the FieldServer virtual node(s) needs to be declared in the “Server Side Nodes” section, and the data to be provided to the Client needs to be mapped in the “Server Side Map Descriptors” section. Details on how to do this can be found below.

NOTE: In the tables below, * indicates an optional parameter, with the bold legal value as default.

6.1 Server Side Connection Parameters

Section Title		
Connections		
Column Title	Function	Legal Values
Port	Specify which port the device is connected to the FieldServer.	P1-P2, R1-R2 ³
Baud*	Specify baud rate.	2400, 4800, 9600 , 19200
Parity*	Specify parity.	Even
Data_Bits*	Specify data bits.	8
Stop_Bits*	Specify stop bits.	1
Protocol	Specify protocol used.	CEI (Case insensitive)
ReAlign_Mode*	This parameter allows the user to specify that only loops must be aligned at startup/reset. Refer to example in Appendix A.1 .	All , Loops

Example

```

// Server Side Connections

Connections
Port , Protocol , Baud , Parity
P1 , CEI , 19200 , Even
```

³ Not all ports shown are necessarily supported by the hardware. Consult the appropriate Instruction manual for details of the ports available on specific hardware.

6.2 Server Side Node Parameters

Section Title		
Nodes		
Column Title	Function	Legal Values
Node_Name	Provide name for node.	Up to 32 alphanumeric characters
Node_ID	Generic node id unique to port.	0-255
Protocol	Specify protocol used.	CEI (Case insensitive)

Example

```
// Server Side Nodes

Nodes
Node_Name , Node_ID , Protocol
Node_0 , 0 , CEI
```

6.3 Server Side Map Descriptor Parameters

6.3.1 FieldServer Specific Map Descriptor Parameters

Column Title	Function	Legal Values
Map_Descriptor_Name	Name of this Map Descriptor.	Up to 32 alphanumeric characters
Data_Array_Name	Name of Data Array where data is to be stored in the FieldServer.	One of the Data Array names from Section 4
Data_Array_Location	Starting location in Data Array.	0 to (Data_Array_Length -1) as specified in Section 4
Function	Function of Client Map Descriptor.	Passive

6.3.2 Driver Specific Map Descriptor Parameters

Column Title	Function	Legal Values
Node_Name	Name of Node to fetch data from.	One of the node names specified in Section 6.2
Cei_Address	The remote exchange's address.	1, 2, 4, 8, 16
Cei_Type	The specific type of cei data referred to by the Map Descriptor.	points, analogs, devices, events, zones, labels, setup

6.3.3 Map Descriptor Example

Map_Descriptor_Name	Data_Array_Name	Data_Array_Offset	Function	Node_Name	Cei_Address	Cei_Type	Length
Exch_1_P_S	, Pnt_sts_1	, 0	, Passive	, Node_0	, 1	, Points	, 3168
Exch_1_P_A	, Pnt_analogs_1	, 0	, Passive	, Node_0	, 1	, Analogs	, 3168
Exch_1_D_C	, Dev_codes_1	, 0	, Passive	, Node_0	, 1	, Devices	, 3168
Exch_1_E_C	, Evt_codes_1	, 0	, Passive	, Node_0	, 1	, Events	, 3168
Exch_1_Z_S	, Zone_sts_1	, 0	, Passive	, Node_0	, 1	, Zones	, 80
Exch_1_Z_L	, Zone_labels_1	, 0	, Passive	, Node_0	, 1	, Labels	, 2560
Exch_1_Z_S_U	, Zone_setup_1	, 0	, Passive	, Node_0	, 1	, Setup	, 5120

This can be any name but each name must be unique. Name will appear in FieldServer Map Descriptor status information screens.

The Data Array as defined in **Section 4**. Data from the forth script file will be stored into the array at Data_Array_Offset. This data will be sent to a requesting client.

This value specifies the offset into the Data Array where the data from the forth script will be stored. Note that the script can offset the data in addition to this offset value.

Function may not be read or write since it implements a Server. Function may only be passive.

Node Name as defined in **Section 5.2**. This defines the port on which the exchange is connected.

The exchange address.

The cei data type the Map Descriptor points to. Used by driver internals to retrieve data.

7 CONFIGURING THE FIELDSEVER AS A CEI-ABI DATA TAP

For detailed information on FieldServer configuration, refer to the FieldServer Configuration Manual. The information that follows describes how to expand upon the factory defaults provided in the configuration files included with the FieldServer (see “.csv” sample files provided with the FieldServer).

This section documents and describes the parameters necessary for configuring the FieldServer to communicate with an EN.54 exchange.

The configuration file tells the FieldServer about its interfaces, and the routing of data required. In order to enable the FieldServer for CEI-ABI driver communications, the driver independent FieldServer buffers need to be declared in the “Data Arrays” section, the destination device addresses need to be declared in the “Client Side Nodes” section, and the data required from the Servers needs to be mapped in the “Client Side Map Descriptors” section. Details on how to do this can be found below.

NOTE: In the tables below, * indicates an optional parameter, with the bold legal value as default.

7.1 Data Tap Connection Parameters

Section Title		
Connections		
Column Title	Function	Legal Values
Port	Specify which port the device is connected to the FieldServer.	P1-P2, R1-R2 ⁴
Baud*	Specify baud rate.	2400, 4800, 9600 , 19200
Parity*	Specify parity.	Even
Data_Bits*	Specify data bits.	8
Stop_Bits*	Specify stop bits.	1
Protocol	Specify protocol used.	CEI (Case insensitive)
ReAlign_Mode*	This parameter allows the user to specify that only loops must be aligned at startup/reset. Refer to example in Appendix A.1 .	All , Loops

Example

```
// Client Side Connections

Connections
Port , Protocol , Baud , Parity
P1 , CEI , 19200 , Even
```

⁴ Not all ports shown are necessarily supported by the hardware. Consult the appropriate Instruction manual for details of the ports available on specific hardware.

7.2 Data Tap Node Parameters

Section Title		
Nodes		
Column Title	Function	Legal Values
Node_Name	Provide name for node.	Up to 32 alphanumeric characters
Node_ID	Generic node id unique to port.	0-255
Protocol	Specify protocol used.	CEI (Case insensitive)
Port	Specify which port the device is connected to the FieldServer.	P1-P2, R1-R2 ⁴
Node_type	Specify this is a listen only node.	Data_Tap

Example

```
// Client Side Nodes

Nodes
Node_Name , Node_ID , Protocol , Port , Node_Type
Node_0 , 0 , CEI , P1 , Data_Tap
```

7.3 Data Tap Map Descriptor Parameters

7.3.1 FieldServer Specific Map Descriptor Parameters

Column Title	Function	Legal Values
Map_Descriptor_Name	Name of this Map Descriptor.	Up to 32 alphanumeric characters
Data_Array_Name	Name of Data Array where data is to be stored in the FieldServer.	One of the Data Array names from Section 4
Data_Array_Location	Starting location in Data Array.	0 to (Data_Array_Length -1) as specified in Section 4
Function	Function of Client Map Descriptor.	Passive

7.3.2 Driver Specific Map Descriptor Parameters

Column Title	Function	Legal Values
Node_Name	Name of Node to tap data from.	One of the node names specified in Section 7.2
Cei_address	The remote exchange's address.	1, 2, 4, 8, 16
Cei_type	The specific type of cei data referred to by the Map Descriptor.	points, p_faults_bmp, analogs, p_devices, p_events, zones, z_devices, z_events, labels, zone_points, setup

7.3.3 Map Descriptor Example

Map_Descriptor_Name	Data_Array_Name	Data_Array_Offset	Function	Node_Name	Cei_Address	Cei_Type	Length
Exch_1_P_S	, Pnt_sts_1	, 0	, Passive	, Node_0	, 1	, Points	, 3168
Exch_1_P_F_B	, Pnt_faults_bmap_1	, 0	, Passive	, Node_0	, 1	, p_faults_bmp	, 3168
Exch_1_P_A	, Pnt_analogs_1	, 0	, Passive	, Node_0	, 1	, Analogs	, 3168
Exch_1_P_D_C	, Pnt_Dev_codes_1	, 0	, Passive	, Node_0	, 1	, p_devices	, 3168
Exch_1_P_E_C	, Pnt_Evt_codes_1	, 0	, Passive	, Node_0	, 1	, p_events	, 3168
Exch_1_Z_S	, Zone_sts_1	, 0	, Passive	, Node_0	, 1	, Zones	, 80
Exch_1_Z_D_C	, Zn_Dev_codes_1	, 0	, Passive	, Node_0	, 1	, z_devices	, 80
Exch_1_Z_E_C	, Zn_Evt_codes_1	, 0	, Passive	, Node_0	, 1	, z_events	, 80
Exch_1_Z_L	, Zone_labels_1	, 0	, Passive	, Node_0	, 1	, Labels	, 2560
Exch_1_Z_P_S	, Zone_pnt_sts_1	, 0	, Passive	, Node_0	, 1	, zone_points	, 2560
Exch_1_Z_S_U	, Zone_setup_1	, 0	, Passive	, Node_0	, 1	, Setup	, 5120

This can be any name but each name must be unique. Name will appear in FieldServer Map Descriptor status information screens.

The Data Array name must be one found under Data_Arrays. Data from the scan will be stored into the array at Data_Array_Offset.

The offset into the Data Array where the data will be stored.

Function may not be write. Only read and passive. Read is for pollers and passive for data.

Node name must be one found under Nodes, Node_Name. The Node_Name identifies the port on which the exchange is connected.

The remote exchange address.

The type of cei data the Map Descriptor refers to. Used by the driver internals to store data in multiple locations.

APPENDIX A USEFUL FEATURES

Appendix A.1 Align Loops Only

This parameter allows the user to specify that only loops must be aligned at start-up/reset. The parameter needs to be set to “Loops” to activate this functionality.

Connections						
Port	Baud	Data_Bits	Stop_Bits	Parity	Protocol	ReAlign_Mode
R1	19200	8	1	Even	cei	Loops

APPENDIX B VENDOR INFORMATION

Appendix B.1 Mapping the Points to Modbus

The following table shows how the cei points in a single Data Array containing all 16 loops may be mapped to Modbus points. The p_faults_bmap type should be used and the Data Array type should be set to bit.

Loop	Points type	Source_Data_Array	Source_Offset	Target_Data_Array	Target_Offset	Length
0	Detectors	Pnt_flts_bmap_1	0	MB_alarms	1	99
0	Modules	Pnt_flts_bmap_1	99	MB_alarms	101	99
1	Detectors	Pnt_flts_bmap_1	198	MB_alarms	201	99
1	Modules	Pnt_flts_bmap_1	297	MB_alarms	301	99
2	Detectors	Pnt_flts_bmap_1	396	MB_alarms	401	99
2	Modules	Pnt_flts_bmap_1	495	MB_alarms	501	99
3	Detectors	Pnt_flts_bmap_1	594	MB_alarms	601	99
3	Modules	Pnt_flts_bmap_1	693	MB_alarms	701	99
4	Detectors	Pnt_flts_bmap_1	792	MB_alarms	801	99
4	Modules	Pnt_flts_bmap_1	891	MB_alarms	901	99
5	Detectors	Pnt_flts_bmap_1	990	MB_alarms	1001	99
5	Modules	Pnt_flts_bmap_1	1089	MB_alarms	1101	99
6	Detectors	Pnt_flts_bmap_1	1188	MB_alarms	1201	99
6	Modules	Pnt_flts_bmap_1	1287	MB_alarms	1301	99
7	Detectors	Pnt_flts_bmap_1	1386	MB_alarms	1401	99
7	Modules	Pnt_flts_bmap_1	1485	MB_alarms	1501	99
8	Detectors	Pnt_flts_bmap_1	1584	MB_alarms	1601	99
8	Modules	Pnt_flts_bmap_1	1683	MB_alarms	1701	99
9	Detectors	Pnt_flts_bmap_1	1782	MB_alarms	1801	99
9	Modules	Pnt_flts_bmap_1	1881	MB_alarms	1901	99
10	Detectors	Pnt_flts_bmap_1	1980	MB_alarms	2001	99
10	Modules	Pnt_flts_bmap_1	2079	MB_alarms	2101	99
11	Detectors	Pnt_flts_bmap_1	2178	MB_alarms	2201	99
11	Modules	Pnt_flts_bmap_1	2277	MB_alarms	2301	99
12	Detectors	Pnt_flts_bmap_1	2376	MB_alarms	2401	99
12	Modules	Pnt_flts_bmap_1	2475	MB_alarms	2501	99
13	Detectors	Pnt_flts_bmap_1	2574	MB_alarms	2601	99
13	Modules	Pnt_flts_bmap_1	2673	MB_alarms	2701	99
14	Detectors	Pnt_flts_bmap_1	2772	MB_alarms	2801	99
14	Modules	Pnt_flts_bmap_1	2871	MB_alarms	2901	99
15	Detectors	Pnt_flts_bmap_1	2970	MB_alarms	3001	99
15	Modules	Pnt_flts_bmap_1	3069	MB_alarms	3101	99

APPENDIX C REFERENCE

Appendix C.1 Protocol Specification

“CEI-ABI PROTOCOL FOR `EN.54 EXCHANGES, Models AM-6000, AM-2000, FSP-402”

It also contains a heading called: “Variation to the standard documentation of the protocol (CEI 79.5)”.

This driver deviates from the following paragraph:

“Byte stuffing insertion methods:The added character (10h) is not counted in the data length field, but is used in the calculation of the checksum.”

This driver does NOT use the added character (10h) in the calculation of the checksum.