



FieldServer
FS-8700-133 Genisys
Driver Manual
(Supplement to the FieldServer Instruction Manual)

APPLICABILITY & EFFECTIVITY

Effective for all systems manufactured after July 2017.

Driver Version: 1.01
Document Revision: 1.A

Technical Support

Please call us for any technical support needs related to the FieldServer product.

Sierra Monitor Corporation
1991 Tarob Court
Milpitas, CA 95035

Website: www.sierramonitor.com

U.S. Support Information:

+1 408 262-6611

+1 800 727-4377

Email: support@sierramonitor.com

EMEA Support Information:

+44 2033 1813 41

Email: support.emea@sierramonitor.com

TABLE OF CONTENTS

1 Genisys Description 4

2 Driver Scope of Supply 4

 2.1 Supplied by Sierra Monitor Corporation 4

3 Hardware Connections 5

 3.1 FieldServer 5

 3.2 QuickServer 6

4 Data Array Parameters 7

5 Configuring the FieldServer as a Genisys Client 8

 5.1 Client Side Connection Descriptions 8

 5.2 Client Side Node Descriptors 9

 5.3 Client Side Map Descriptors 9

 5.3.1 FieldServer Related Map Descriptor Parameters 9

 5.3.2 Driver Related Map Descriptor Parameters 10

 5.3.3 Timing Parameters 10

 5.4 Map Descriptor Example: Read Indications 11

 5.5 Map Descriptor Example: Write Controls 12

6 Configuring the FieldServer as a Genisys Server 13

Appendix A. Useful Features 14

 Appendix A.1. Storage Structure for Data Type Bit and Byte 14

Appendix B. Reference 15

1 GENISYS DESCRIPTION

The Genisys driver allows the transfer of data to and from devices over RS-232 Genisys protocol. Vital Harmon Logic Controller (VHLC) supports Genisys protocol. IM-188 VHLC GENISYS SOFTWARE MANUAL 100188-008 AB0.PDF is the basis of the Genisys driver. The FieldServer can be configured as a Client. Limited Server side functionality has been implemented for FieldServer's quality assurance requirements only.

Max Nodes Supported

FieldServer Mode	Nodes	Comments
Client	1	Only 1 virtual client per port allowed on multidrop systems.
Server	255	Maximum device addresses pollable by Client – protocol limitation.

2 DRIVER SCOPE OF SUPPLY

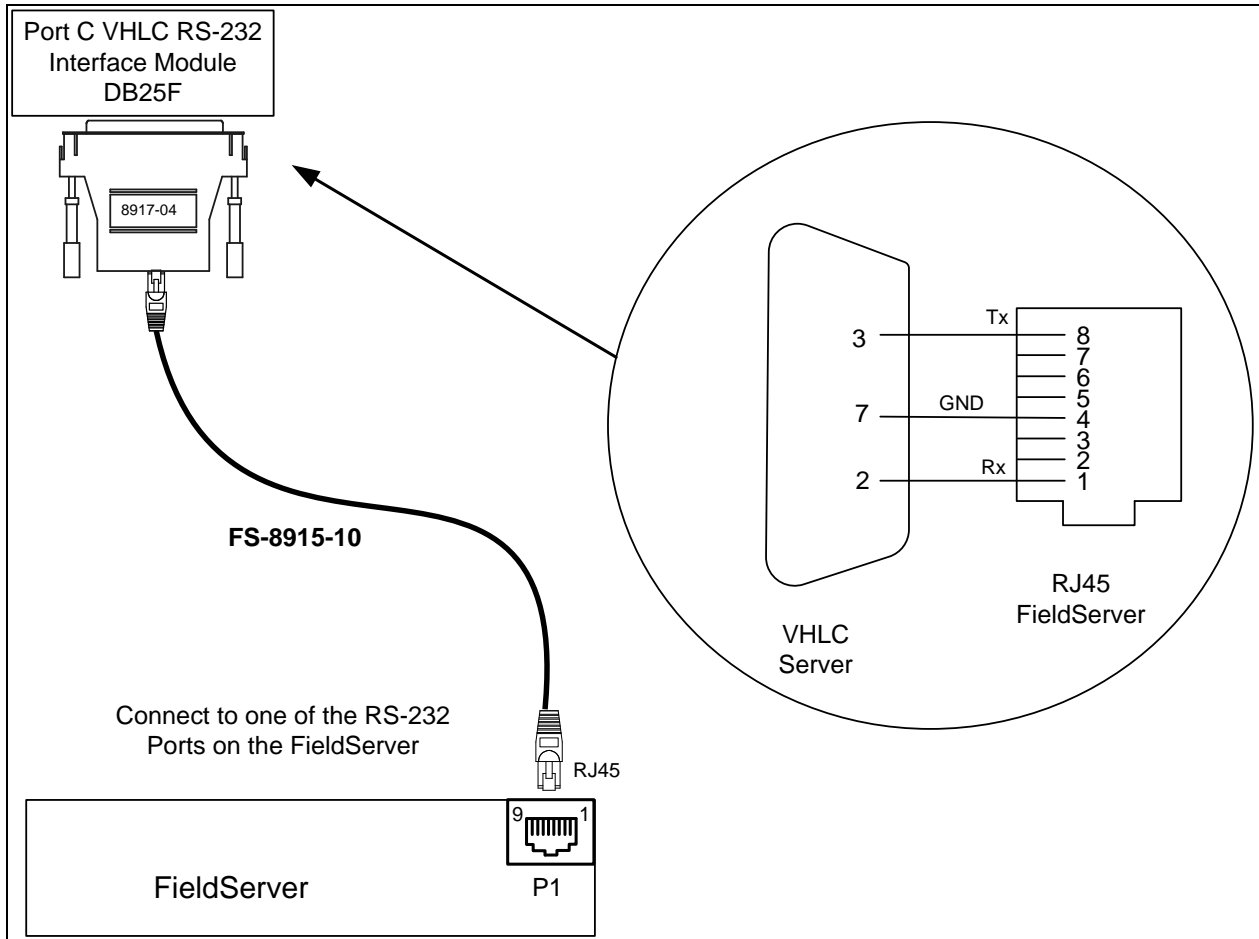
2.1 Supplied by Sierra Monitor Corporation

PART #	Description
FS-8915-10	UTP cable (7 foot) for RS-232 use
FS-8917-04	RJ45 to DB25F connector adapter
FS-8700-133	Driver Manual.

3 HARDWARE CONNECTIONS

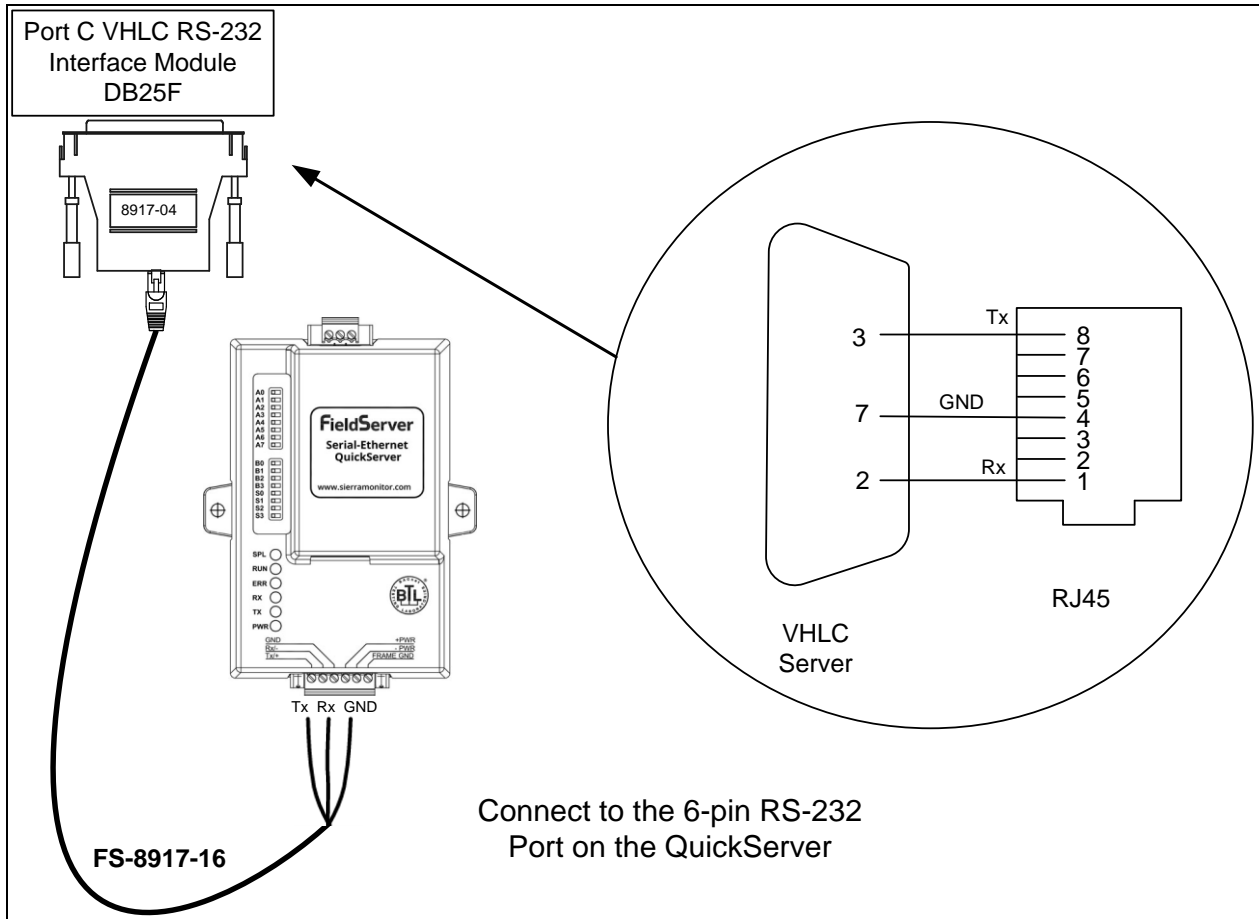
3.1 FieldServer

The FieldServer is connected to the VHLC as shown in the following connection drawing.



3.2 QuickServer

The QuickServer is connected to the VHLC as shown in the following connection drawing.



Connector Pinouts

RJ-45		
Wire Color	Pin	Signal
Brown	1	Rx
White/Orange	8	Tx
Blue/White	4	GND

4 DATA ARRAY PARAMETERS

Data Arrays are “protocol neutral” data buffers for storage of data to be passed between protocols. It is necessary to declare the data format of each of the Data Arrays to facilitate correct storage of the relevant data.

Section Title		
Data_Arrays		
Column Title	Function	Legal Values
Data_Array_Name	Provide name for Data Array.	Up to 15 alphanumeric characters
Data_Array_Format	Provide data format. Each Data Array can only take on one format.	FLOAT, BIT, UInt16, SInt16, Packed_Bit, Byte, Packed_Byte, Swapped_Byte
Data_Array_Length	Number of Data Objects. Must be larger than the data storage area required by the Map Descriptors for the data being placed in this array.	1-10,000

Example

```

// Data Arrays
Data_Arrays
Data_Array_Name , Data_Array_Format , Data_Array_Length
DA_AI_01 , UInt16, , 200
DA_AO_01 , UInt16 , , 200
DA_DI_01 , Bit , , 200
DA_DO_01 , Bit , , 200
    
```

5 CONFIGURING THE FIELDSEVER AS A GENISYS CLIENT

For detailed information on FieldServer configuration, refer to the FieldServer Configuration Manual. The information that follows describes how to expand upon the factory defaults provided in the configuration files included with the FieldServer (see “.csv” sample files provided with the FieldServer).

This section documents and describes the parameters necessary for configuring the FieldServer to communicate with a Genisys Server.

The configuration file tells the FieldServer about its interfaces, and the routing of data required. In order to enable the FieldServer for Genisys communications, the driver independent FieldServer buffers need to be declared in the “Data Arrays” section, the destination device addresses need to be declared in the “Client Side Nodes” section, and the data required from the Servers needs to be mapped in the “Client Side Map Descriptors” section. Details on how to do this can be found below.

NOTE: In the tables below, * indicates an optional parameter, with the bold legal value being the default.

5.1 Client Side Connection Descriptions

Section Title		
Connections		
Column Title	Function	Legal Values
Port	Specify which port the device is connected to the FieldServer.	P1-P2 ¹
Protocol	Specify protocol used.	Genisys
Baud*	Specify baud rate.	300 , 600, 1200, 2400, 4800, 9600 (Vendor limitation)
Parity*	Specify parity.	None , Even, Odd (Vendor limitation)
Data_Bits*	Specify data bits.	8 (Vendor limitation)
Stop_Bits*	Specify stop bits.	1 , 2 (Vendor limitation)
Poll_Delay*	Time between internal polls.	0-32000 seconds, 0.05 seconds

Example

```

//
// Client Side Connections
//
Connections
Port , Baud , Data_Bits , Stop_Bits , Parity , Protocol
P1 , 9600 , 8 , 1 , None , Genisys
```

¹ Not all ports shown are necessarily supported by the hardware. Consult the appropriate Instruction manual for details of the ports available on specific hardware.

5.2 Client Side Node Descriptors

Section Title		
Nodes		
Column Title	Function	Legal Values
Node_Name	Provide name for Node.	Up to 32 alphanumeric characters
Node_ID	VHLC station address of physical Server Node.	1-255
Protocol	Specify protocol used.	Genisys
Connection	Specify which port the device is connected to the FieldServer.	P1-P2 ¹
Genisys_Check_Controls*	If OFF, the FieldServer configures VHLC to apply controls from the FieldServer without verification. If ON, the FieldServer configures VHLC to verify controls supplied by the FieldServer before applying.	OFF, ON
Genisys_Intra_Poll_Delay*	Specify time, that FieldServer should wait before sending ACK or Execute message after receiving the last character of response from VHLC.	0.010s, 0.025s etc

Example

```
// Client Side Nodes
//
Nodes
Node_Name , Node_ID , Protocol , Port , Genisys_Check_Controls , Genisys_Intra_Poll_Delay
Genisys_01 , 1 , Genisys , P1 , ON , 0.01s
Genisys_02 , 2 , Genisys , P1 , - , 0.01s
```

5.3 Client Side Map Descriptors

5.3.1 FieldServer Related Map Descriptor Parameters

Column Title	Function	Legal Values
Map_Descriptor_Name	Name of this Map Descriptor.	Up to 32 alphanumeric characters
Data_Array_Name	Name of Data Array where data is to be stored in the FieldServer.	One of the Data Array names from "Data Array" section above
Data_Array_Offset	Starting location in Data Array.	0 to maximum specified in "Data Array" section above
Function	Function of Client Map Descriptor.	COS_Poller, COS_Read, Wrbx

5.3.2 Driver Related Map Descriptor Parameters

Column Title	Function	Legal Values
Node_Name	Name of Node to fetch data from.	One of the Node names specified in "Client Node Descriptor" above
Data_Type*	'Bit' each byte of Indication statuses will be stored in 8 consecutive locations in the Data Array. Similarly while writing; Control byte will be composed from 8 consecutive locations of the Dara Array. 'Byte' each byte of Indication statuses will be stored as an 8-Bit Integer at the specified location. Similarly while writing; Control byte will be composed from a single location of the Data Array. Refer to Appendix A.1 .	Bit, Byte
Address*	Internally used parameter, if used specify value 0.	0
Length*	Length of Map Descriptor Number of indications to store or number of controls to write as per Data_Type.	Bit: 1-256, 8 Byte: 1-32, 1
Genisys_OnValue_Change*	If this parameter is set to Yes, the driver will only send controls if there is a value change when the Data Array is updated.	Yes, -

5.3.3 Timing Parameters

Column Title	Function	Legal Values
Scan_Interval	Rate at which data is polled	≥0.001s

5.4 Map Descriptor Example: Read Indications

The following Map Descriptors will read indication words from physical Server Genisys_01 and Genisys_02 (described in Client Side Node Descriptors section).

The Cos_Poller Map Descriptor polls VHLC for any indication word changes and returned data is stored on the Data Array under the COS_READ Map Descriptor for the same Node. The rate of polling is determined by the Scan_Interval.

The Cos_Read Map Descriptor also polls VHLC for all indication words irrespective of data change. The rate of polling is determined by the Scan_Interval.

If Data_Type is Byte, any location in Data Array will hold one indication word from VHLC.

If Data_Type is Bit, eight consecutive locations in Data Array will hold one indication word from VHLC. Also see [Appendix A.1](#).

```
// Client Side Map Descriptors
//
Map_Descriptors
Map_Descriptor_Name , Scan_Interval , Data_Array_Name , Data_Array_Offset , Function , Node_Name , Data_Type , Address , Length
CMD_01 , 1.00s , DA_COS_01 , 0 , COS_Poller , Genisys_01 , Byte , 0 , 1
CMD_01a , 50s , DA_8I_01 , 0 , COS_Read , Genisys_01 , Byte , 0 , 32

CMD_02 , 1.00s , DA_COS_02 , 0 , COS_Poller , Genisys_02 , Bit , 0 , 1
CMD_02a , 50s , DA_DI_01 , 0 , COS_Read , Genisys_02 , Bit , 0 , 256
```

Frequency (in seconds) to read Indication Statuses.

Name of one of the Data Arrays defined in the Data_Array section. Indication statuses will be stored in this Data Array.

Starting offset in Data Array to hold 1st indication status.

One of the Nodes declared in Node Section. Indications will be read from the station address belonging to this Node.

Number of consecutive locations in the Data array to be used for storing data from the Server.

5.5 Map Descriptor Example: Write Controls

The following Map Descriptor will write controls to physical Server Genisys_01 and Genisys_02 (described in Client Side Node Descriptors section) whenever any of the control statuses changes/updates. One such Map Descriptor is required per Node.

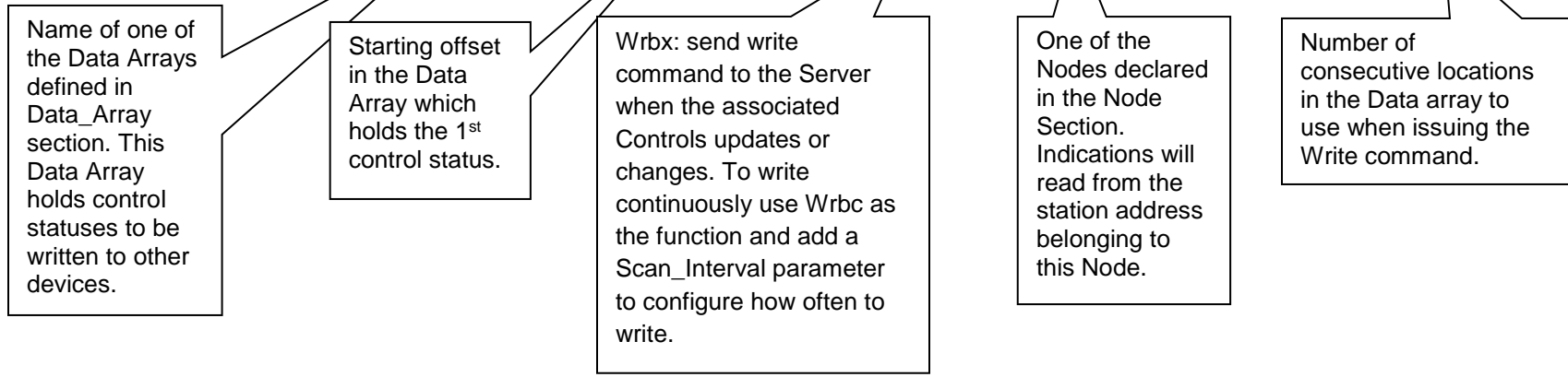
If Data_Type is Byte, 32 consecutive locations from the Data Array will be written to VHLC. Data at any location would be considered as one control word.

If Data_Type is Bit, 256 consecutive locations from the Data Array will be written to VHLC. Data at 8 consecutive locations would be considered as one control word.

Also, see [Appendix A.1](#).

```

// Client Side Map Descriptors
//
Map_Descriptors
Map_Descriptor_Name , Scan_Interval , Data_Array_Name , Data_Array_Offset , Function , Node_Name , Data_Type , Address , Length
CMD_01b , - , DA_8O_01 , 0 , Wrbc , Genisys_01 , Byte , 0 , 32
CMD_02 , - , DA_DO_01 , 0 , Wrbc , Genisys_02 , Bit , 0 , 256
    
```



6 CONFIGURING THE FIELD SERVER AS A GENISYS SERVER

The Server side has been implemented only for FieldServer's quality assurance requirements.

APPENDIX A USEFUL FEATURES

Appendix A.1 Storage Structure for Data Type Bit and Byte

- LSB bit in Indication/Control Byte is the 1st status/control value.
- If the Data_Type is 'Byte' and only the 1st and 2nd indication status values are 1 (out of 8 statuses), all others being zero, the Driver will store a numeric value of 3 in the Data Array.

APPENDIX B REFERENCE

Most error messages are associated with errors in parsing an incoming message from the VHLC panel. The most likely cause is a mismatch in expected message format. The driver will flag one of the following error messages and continue. In most cases the message currently being processed by the driver will also be printed so that any problems can be easily diagnosed.

The following Error Messages appear upon the 'Driver Messages' Screen:

- %d means numeric number
- %s means string

Messages number 2, 3 and 11 will be displayed just once if generated after rebooting or power cycling the FieldServer.

Error	Description	Action
GENISYS:#1 FYI. Connection params are %d %d %d Even	If a connection is declared in Section 4.2 without Baud, Data_Bits, Stop_Bits or Parity, the displayed parameter values will be in use.	Check if connection parameter matches the setting at VHLC.
GENISYS:#2 FYI. MD required to store data from Node(%d)	A Map Descriptor with function COS_Poller has been declared for a Node but the COS_Read Map Descriptor required to store the data is missing.	Edit configuration file and add Map Descriptor with COS_Read function.
GENISYS:#3 FYI. MD(%s) length required=%d, now Only %d statuses will be stored	The COS_Read Map Descriptor is of insufficient length to store all indication words from VHLC.	If all indication words need to be stored, edit the configuration file and change the length of the Map Descriptor to the reported value.
GENISYS:#4 ERR %dth word number %d is invalid	The indication data response from VHLC contains an invalid word number. Valid range is 0-31 No data will be stored.	Call tech support.
GENISYS:#5 FYI. Indications can not be written	The FieldServer received an instruction from a Server device to write indications to VHLC. FieldServer can only write controls to VHLC.	Inspect the configuration file to determine whether the Data Array under the COS_Poller or COS_Read Map Descriptor is mapped to receive write commands from other protocols. Also check that other devices are not configured to write data to these Data Arrays.
GENISYS:#11FYI. MD(%s) length required=%d, now Only %d statuses will be stored	The Driver is acting as a Server rather than a Client.	Call tech support.
GENISYS:#12 ERR %dth word number %d is invalid	The Driver is acting as a Server rather than a Client.	Call tech support.