

**Model 20X Series
Gas Sensor Monitors**
Model 201 - Combustible Gas
Model 203 - Hydrogen Sulfide
Model 206 - Carbon Monoxide

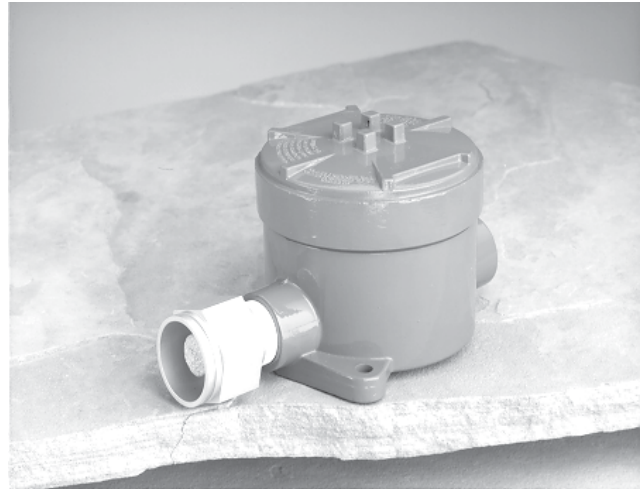
The Model 20X Series are all-weather, solid-state, fixed-installation single-alarm monitors designed for continuous area monitoring of Combustible Gas, Hydrogen Sulfide or Carbon Monoxide.

The Model 20X Series consists of 3 gas sensor modules, Model 201 for Combustible Gas, Model 203 for Hydrogen Sulfide and Model 206 for Carbon Monoxide. The monitors provide 0.5 Amp dry contact relay that is activated when the concentration of gas exceeds the factory-set (and user-adjustable) level. A TTL signal can be user configurable to interface with Sierra Monitor's alarm panels. This signal may be used to activate a remote alarm, fan or process controller.

The standard configuration has a normally operating open relay but a fail-safe normally operating closed relay is field selectable. A durable, cast aluminum explosion-proof enclosure houses the sensor electronics. The enclosure provides sealing for hazardous areas - Class I, Division 1, Groups C, D. The sensor with porous metal cover is assembled in an aluminum housing that screws directly into the electronics enclosure. The cover both protects the sensor and acts as a flame-arrestor. The monitor can be installed up to 500 feet from the power source.

Semiconductor-Type Sensor

A solid-state semiconductor-type sensor and associated electronic circuitry ensure trouble-free, long-term operation. There are no pumps, filters, or chemical cells to replace or maintain. Except periodic calibration to verify the alarm setting, no attention is required after installation. The user may adjust the alarm level by using calibration gas with concentration equal to the alarm level.



Remote Alarm Available

If a remote alarm is desired (required for 20X-00), the Model 2102 Dual Channel Alarm Panel can be connected up to 500 feet away from the monitors.

Model 201 - Combustible Gas

The Model 201 can detect a wide range of combustibles. Typical applications include combustible gas monitoring in manholes, tanks, natural gas fields, parking garages and vehicle maintenance facilities, sewage treatment plants, laboratories, chemical plants, and more.

Features	Benefits
■ Explosion-proof enclosure	Can operate continuously in work areas where hazardous gases could be present
■ No chemical cells to replace, no periodic maintenance required other than routine calibration	Maintenance free operation
■ All the electronic circuitry needed to operate panel the monitor contained in a compact unit	Quick easy installation and connection to alarm

Model 203 - Hydrogen Sulfide

The Model 203 can be used in such typical applications as wastewater treatment plants, laboratories and chemical plants.

Model 206 - Carbon Monoxide

The Model 206 Carbon Monoxide Gas Sensor Module can be used to provide an early warning of Carbon Monoxide accumulation in tanks, laboratories, chemical plants, parking garages, vehicle test facilities and more.

SPECIFICATIONS

SENSOR TYPE: Solid-State Metal Oxide Semiconductor

RANGE: (at 50% relative humidity)
 Model 201 300 - 2,000 ppm Hydrogen
 500 - 10,000 ppm Methane
 Model 203 10-50 ppm Hydrogen Sulfide (H₂S)
 Model 206 50 - 500 ppm Carbon Monoxide (CO)

RESPONSE TIME:
 Model 201 Less than 30 seconds
 Model 203 Less than 60 seconds
 Model 206 Less than 30 seconds

PERIODIC MAINTENANCE: None, other than routine calibration

OPERATING TEMPERATURE RANGE: -4°F TO 158°F (-20°C TO 70°C)

INPUT: 9 - 24 VDC (± 1V), 250 mA

OUTPUT: 0.5 amp dry contact, 100 VDC, 130 VAC
 Nominal 5 volts DC (TTL), source 25mA.
 SAFE and ALARM signals.

INDICATORS: Internal LED for calibration

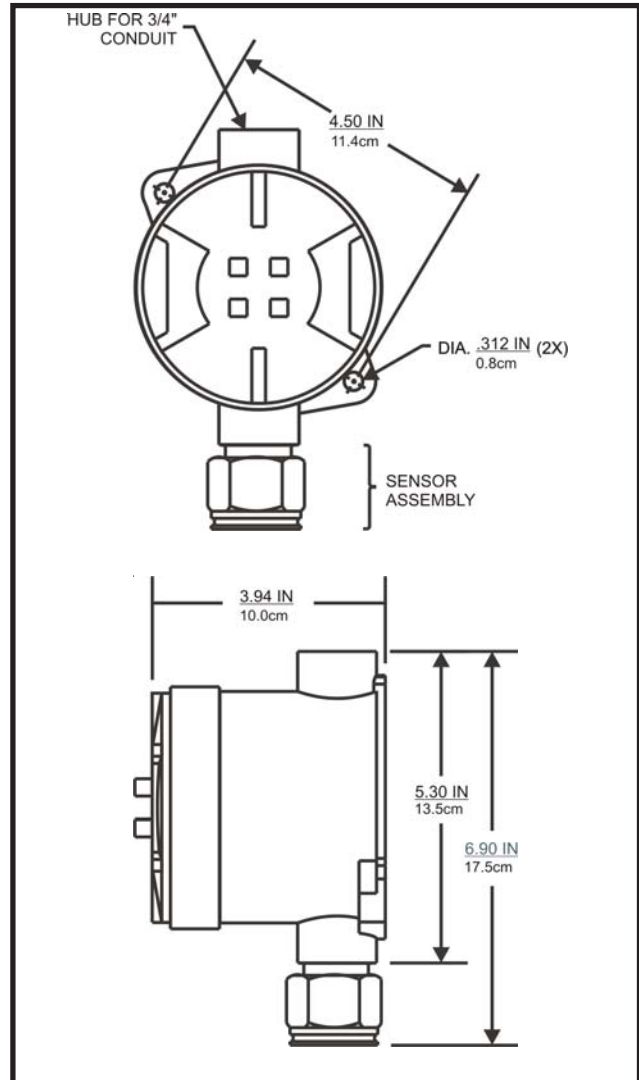
ENCLOSURE: Class I, Division 1, Groups C, D

ENCLOSURE MATERIAL: Cast aluminum for protection against galvanic corrosion

SIZE: 6.75 x 4.0 x 3.5 in (17.1 x 10.2 x 6.0 cm)

WEIGHT: 24 oz (678 g)

APPROVAL: UL 61010-1:2004
 CSA-C22.2



ORDERING INFORMATION

Combustible Gas	201-00
Hydrogen Sulfide	203-00
Carbon Monoxide	206-00



© 2008 by Sierra Monitor Corporation Printed in U.S.A.

Sierra Monitor Corporation 1991 Tarob Ct. Milpitas, CA 95035 (408) 262-6611 800-727-4377 FAX: (408) 262-9042
 Visit our Web site at: www.sierramonitor.com E-Mail: sierra@sierramonitor.com

Rev. B 4/13/11