

Model 200X Series Gas Sensor Monitors

Model 2001 - Combustible Gas

Model 2003 - Hydrogen Sulfide

Model 2006 - Carbon Monoxide

The Model 200X Series are compact, solid-state, fixed-installation single alarm monitors designed for continuous area monitoring of Combustible Gas, Hydrogen Sulfide, or Carbon Monoxide.



The Model 200X Series consists of three separate gas monitors, Model 2001 for Combustibles Model 2003 Hydrogen Sulfide and Model 2006 for Carbon Monoxide. A red LED (light-emitting diode) and audible alarm activate when the concentration of gas exceeds the factory-set (and user-adjustable) level. A green LED indicator on the monitor shows that power is connected and it is a safe condition.

The standard configuration has a buzzer and normally operating open relay, a fail-safe normally operating closed relay is field selectable.

All the electronic circuitry needed to operate the monitor, except the DC input power, is contained in a compact unit. It may be mounted in any orientation. For a single-monitor installation and a local alarm, the accompanying AC-to-DC power supply may be plugged into a standard AC source. The monitors accept 9 - 24 VDC.

Semiconductor-Type Sensor

A solid-state semiconductor-type sensor and associated electronic circuitry ensure trouble-free, long-term operation. There are no pumps, filters or chemical cells to replace or maintain. Except periodic calibration to verify the alarm setting, no attention is required after installation. The user may adjust the alarm level by using a different calibration gas concentration.

A sensor self-check feature will flash the LEDs on and off alternatively and sound an interrupted tone as a warning should the sensor fail (open circuit).

Remote Alarm Available

If a remote alarm is desired, the Model 2102 Dual Channel Alarm Panel can be connected up to 500 feet from the monitors.

Features

- Self-check feature signals sensor failure
- Optional normally operating closed relay
- No chemical cells to replace, no periodic maintenance other than routine calibration
- All the electronic circuitry needed to operate the monitor contained compact unit, power supply plugs into standard AC source

Benefits

- Reliable operation
- Fail-safe configuration
- Maintenance free operation
- Quick easy installation and connection to alarm panel

Gas Sensor Monitors

Model 2001 Combustibles Gas Monitor

The Model 2001 can detect a wide range of combustibles. Typical applications include combustible gas monitoring in basements near waste dumps, manhole, tanks, parking garages and vehicle maintenance facilities, laboratories, chemical plants, and more.

Model 2003 Hydrogen Sulfide Monitor

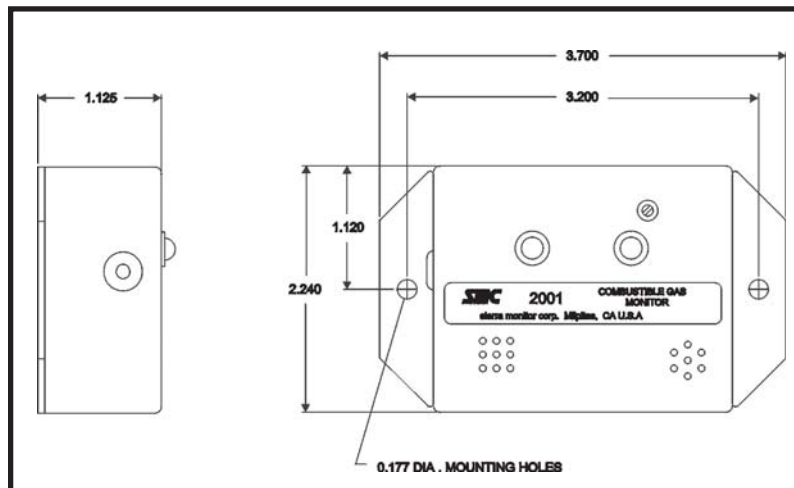
The Model 2003 can be used in such typical applications as waste water treatment plants, laboratories and chemical plants.

Model 2006 Carbon Monoxide Monitor

The Model 2006 Carbon Monoxide Gas Sensor Module can be used to provide an early warning of CO accumulation in tanks, laboratories, chemical plants, parking garages, vehicle test facilities and more.

SPECIFICATIONS

<p>INDICATORS: Visual: Green LED for Monitor "ON"/Safe Red LED for Alarm LEDs oscillate on/off for sensor failure</p> <p>Audible: Sustained alarm tone for as long as gas is present. Interrupted tone or sensor failure.</p> <p>SENSOR TYPE: Solid-State Metal Oxide Semiconductor</p> <p>RANGE; (at 50% relative humidity) Model 2001 300-2,000 ppm Hydrogen 500-10,000 ppm Methane</p> <p>Model 2003 10-50 ppm Hydrogen Sulfide (H₂S)</p> <p>Model 2006 50-500 ppm Carbon Monoxide (CO)</p> <p>FACTORY ALARM SETPOINT: Model 2001 1000 ppm Methane</p> <p>Model 2003 50 ppm H₂S</p> <p>Model 2006 100 ppm CO</p> <p>INPUT: 9 - 24VDC (±1V), 250 mA Plug-in 120 VAC AC/DC Power Supply is provided</p>	<p>OUTPUT: 0.5 AMP dry contact. 100 VDC, 130 VAC Nominal 5 volts DC, source 25 mA, SAFE and ALARM signals 70 dB buzzer. TTL interface to Model 2102 Alarm Panel is user configurable.</p> <p>RESPONSE TIME: Model 2001 Less than 30 seconds</p> <p>Model 2003 Less than 60 seconds</p> <p>Model 2006 Less than 30 seconds</p> <p>PERIODIC MAINTENANCE: None, other than routine calibration</p> <p>OPERATING TEMPERATURE RANGE: -4°F to 158°F -20°C to 70°C</p> <p>ENCLOSURE MATERIAL: Aluminum</p> <p>SIZE: 3.7 x 2.2 x 1.1 in. (9.4 x 5.7 x 2.8 cm)</p> <p>WEIGHT: 3.8 oz (108 g)</p> <p>APPROVAL: UL 61010-1:2001 CSA-C22.2</p>
--	---



ORDERING INFORMATION

Combustible Gas	2001-00
Hydrogen Sulfide	2003-00
Carbon Monoxide	2006-00

