



## **FieldServer ENOTE**

### **Lutron to FieldServer Integration Details**

Document Revision: 2.A  
Date: 3/18  
T18009

## 1 OVERVIEW

GRAFIK 7000™ and Softswitch 128® systems can be integrated to BACnet or LonWorks via the QuickServer gateway. Through BACnet or LonWorks, the QuickServer gateway can control GRAFIK 7000 lighting zones, scenes or Softswitch 128 zones.

**NOTE:** For additional details and troubleshooting information concerning the QuickServer, find the “QuickServer Start-up Guide” on the Sierra Monitor Website’s Resource Center: [www.sierramonitor.com/customer-care/resource-center](http://www.sierramonitor.com/customer-care/resource-center)

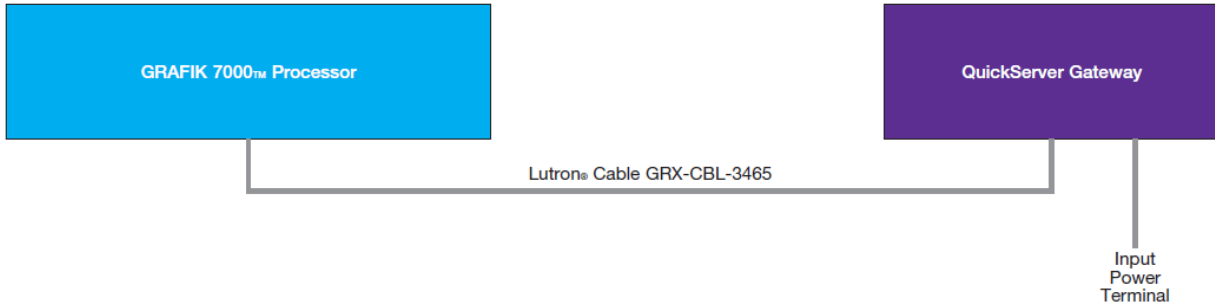
### 1.1 Hardware and Software Requirements

- Lutron Grafik 7000 to BACnet/IP (P/N FS-QS-1210-0718) with PG16000008
- Lutron Softswitch 128 to BACnet/IP (P/N FS-QS-1220-0718) with PG16000008
- Lutron Grafik 7000 to BACnet MS/TP (P/N FS-QS-1210-1241) with PG16000007
- Lutron Softswitch 128 to BACnet MS/TP (P/N FS-QS-1220-1241) with PG16000007
- Lutron Grafik 7000 to Lonworks (P/N FS-QS-1211-0744) with PG16000011
- Lutron Softswitch 128 to Lonworks (P/N FS-QS-1221-0744) with PG16000011

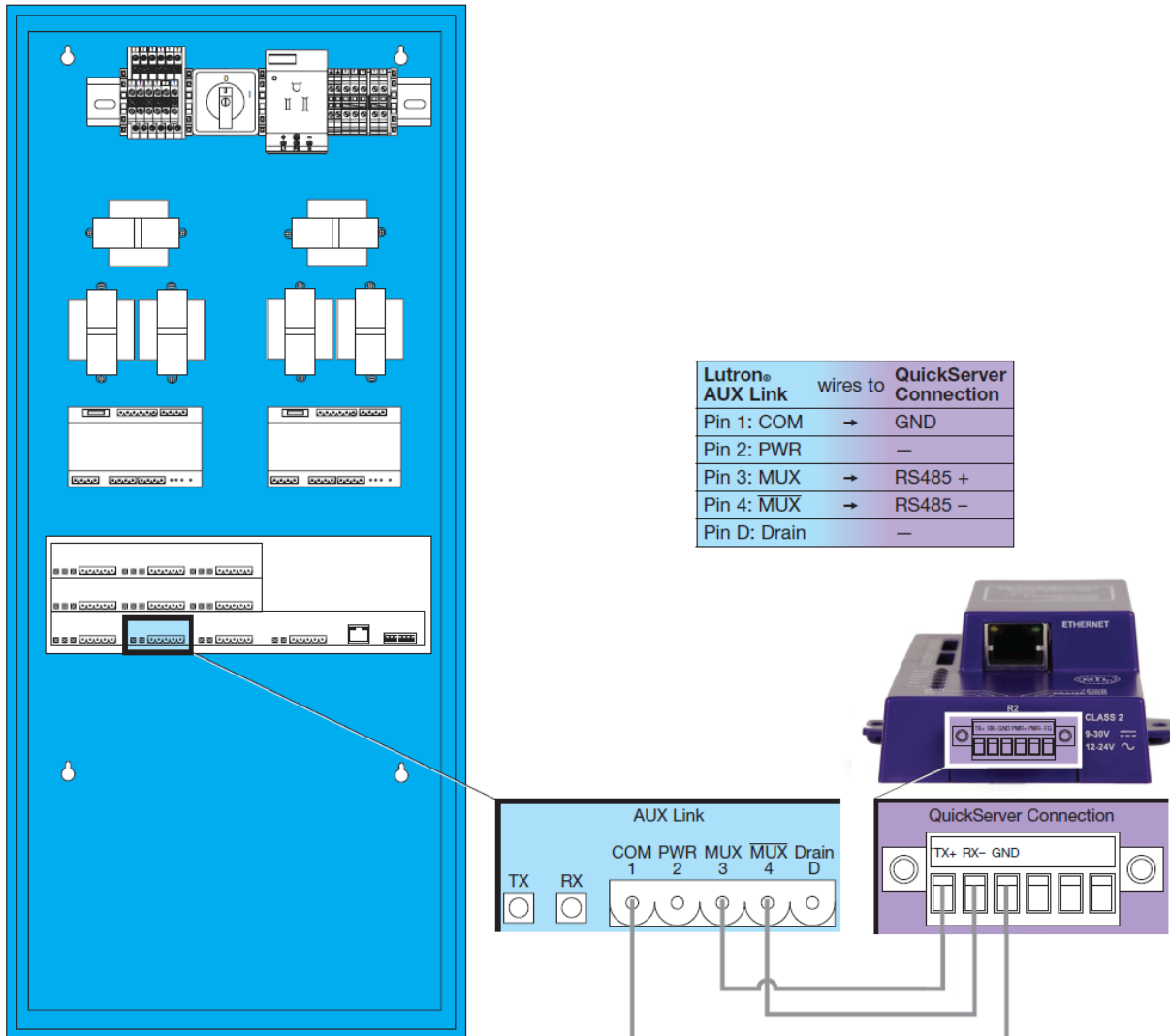
## 2 WIRING

### 2.1 GRAFIK 7000 Wiring

#### 2.1.1 One-Line Diagram

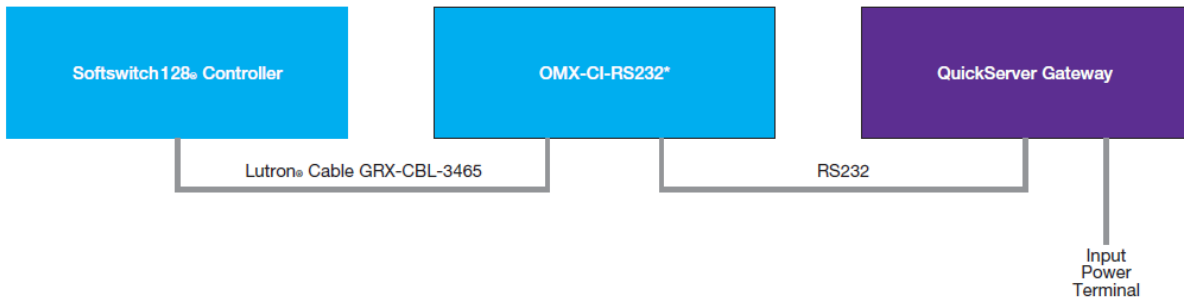


#### 2.1.2 Detailed Diagram

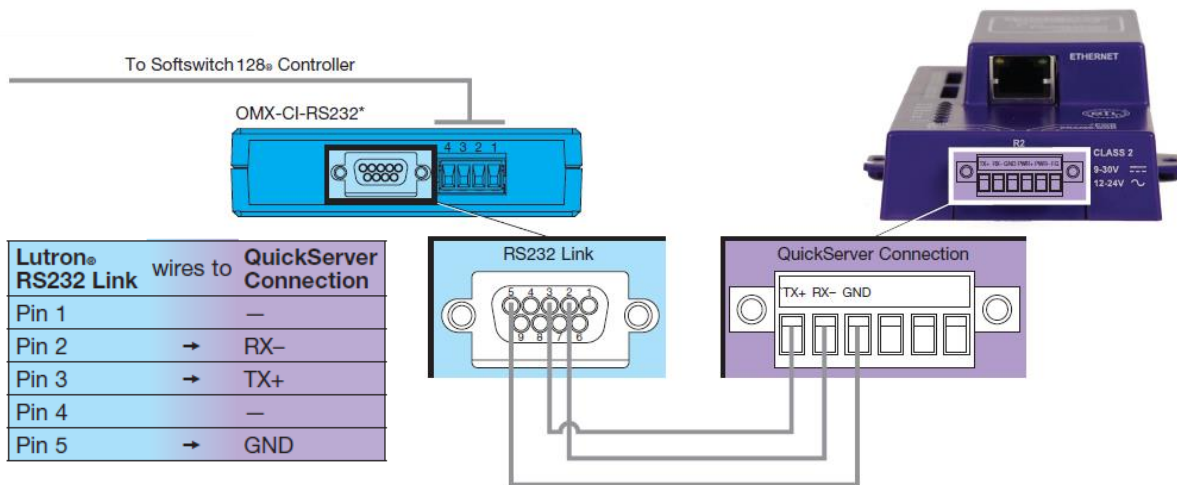


## 2.2 Softswitch 128 Wiring

### 2.2.1 One-Line Diagram



### 2.2.2 Detailed Diagram



\* The OMX-CI-RS232 must be purchased from Lutron to interface between the Softswitch 128® controller and the QuickServer gateway.

### 3 CONFIGURE THE FIELDSEVER

#### 3.1 Discover IP Address Using FieldServer Toolbox

- Install the Toolbox application from the USB drive or get it from the Sierra Monitor website: [www.sierramonitor.com/customer-care/resource-center?filters=software-downloads](http://www.sierramonitor.com/customer-care/resource-center?filters=software-downloads)
- Use the Toolbox application to find the QuickServer, and launch the Web GUI.

**NOTE:** If the Connect button is greyed out, the QuickServer’s IP Address must be set to be on the same network as the PC.



### 3.2 Setup FieldServer Using the Web Configurator Page for BACnet

- Open the Web Configurator Page by clicking the Connect button on the desired device found in the FieldServer Toolbox (**Section 3.1**) or entering the IP Address of the QuickServer into the local PC's internet browser address bar.
- Enter the appropriate details for BACnet into the fields shown in the picture below and click submit (picture below shows BACnet/IP example).
- A prompt will appear to perform a system restart, click the System Restart button at the bottom of the page to update the device's settings.

The screenshot shows a web interface titled "Configuration Parameters" with a table of settings. Each row includes a parameter name, a description, a value input field, and a "Submit" button. At the bottom, there are navigation buttons: "HELP (?)", "Network Settings", "System Restart", and "Diagnostics & Debugging".

Parameter Name	Parameter Description	Value
num_of_zones	<b>Number of Lutron Zones</b> This sets the number of zones in the Lutron system. (1 - 500)	500 <input type="button" value="Submit"/>
lut_baud_rate	<b>Lutron Baud Rate</b> This sets the Lutron baud rate. (4800/9600/19200/38400/76800)	9600 <input type="button" value="Submit"/>
bac_device_id	<b>BACnet Device Instance</b> This sets the BACnet device instance. (1 - 4194303)	11 <input type="button" value="Submit"/>
bac_ip_port	<b>BACnet IP Port</b> This sets the BACnet IP port of the Gateway. The default is 47808. (1 - 65535)	47808 <input type="button" value="Submit"/>
bac_cov_option	<b>BACnet COV</b> This enables or disables COVs for the BACnet connection. Use COV_Enable to enable. Use COV_Disable to disable. (COV_Enable/COV_Disable)	COV_Enable <input type="button" value="Submit"/>
bac_bbmd_option	<b>BACnet BBMD</b> This enables BBMD on the BACnet IP connection. Use BBMD to enable. Use - to disable. The bdt.ini files also needs to be downloaded. (BBMD/-)	- <input type="button" value="Submit"/>

Navigation buttons:

**NOTE: For LonWorks the only parameter is the Lutron Baud Rate.**

---

## Technical Support

Thank you for purchasing the FieldServer from Sierra Monitor Corporation.

Please call us for any technical support needs related to the FieldServer product.

Sierra Monitor Corporation  
1991 Tarob Court  
Milpitas, CA 95035

Website: [www.sierramonitor.com](http://www.sierramonitor.com)

U.S. Support Information:

+1 408 964-4443

+1 800 727-4377

Email: [support@sierramonitor.com](mailto:support@sierramonitor.com)

EMEA Support Information:

+31 33 808 0590

Email: [support.emea@sierramonitor.com](mailto:support.emea@sierramonitor.com)